



MASTERAD SA 1000

Straight Arm System

A compact motorized digital straight arm

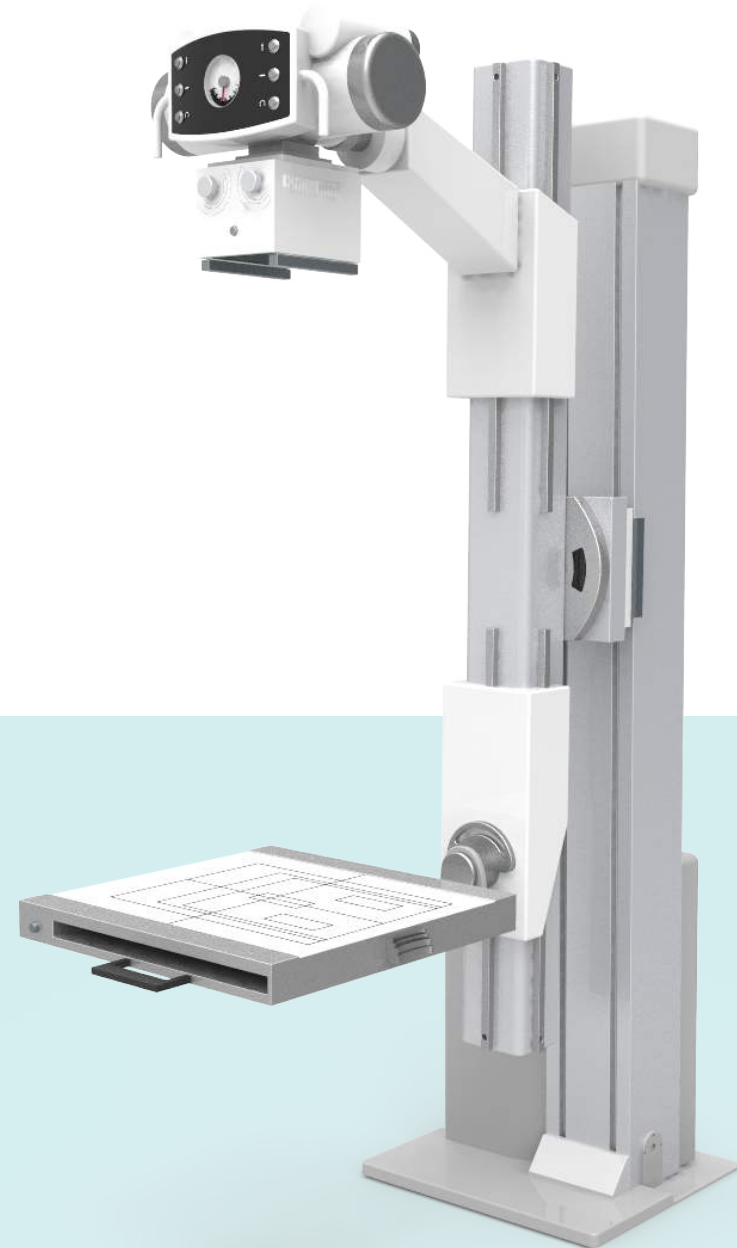




MASTERAD SA 1000

Straight Arm System

The SA1000 provides a cost effective flexible imaging solution that satisfies a wide range of radiographic exams for a wide range of settings such as Urgent care, Doctors' offices as well as Orthopedic practices & Chiropractors. Any view is *simple* to get with just a *push of a button*.



Compact design allows for small room installations



System integrated with DR software and generator



Pre-programmed positions with the touch of a button



Fully motorized movement of arm into any position

System



- Single panel multi-purpose radiographic straight arm system provides a cost effective solution for a wide range of radiographic examinations.
- Compact system, fits in a room as compact as 10x10 ft
- Comes preconfigured for your choice of panel



Specifications

M-38	
Maximum x-ray tube voltage	150kvp
Maximum x-ray field	48x48cm at SID 100 cm
Adjustment	Stepless
Light Projection	More than 160 Lux at SID 100cm
Inherent Protection	1.2mm Al equivalent
Radiation Protection	Less than 30mr/hr at 100cm from x-ray tube focal spot.
Projection Lamp	24v - 150w halogen lamp
Lamp timer	Push button, 30 seconds timer
Installed weight of collimator	6.2kg
Power Consumption	24VAC, 7A
Dimensions	182w x 197D x 164Hmm



Configurations

Generator

CMP 150 / CMPO 200

CMP 200 series lineup. Standard configuration 40kW, 40-150kV, membrane console

32 kW - 80kW, AEC, DAP, 15" Touch screen console option available

Detector

CSI 17x17 Tethered Detector

17x17 Wireless detector option available.

Tube

Canon Tube lineup. Standard configuration 140kHU, FFS 1/2mm

200kHU, 300kHU, 400kHU options available.



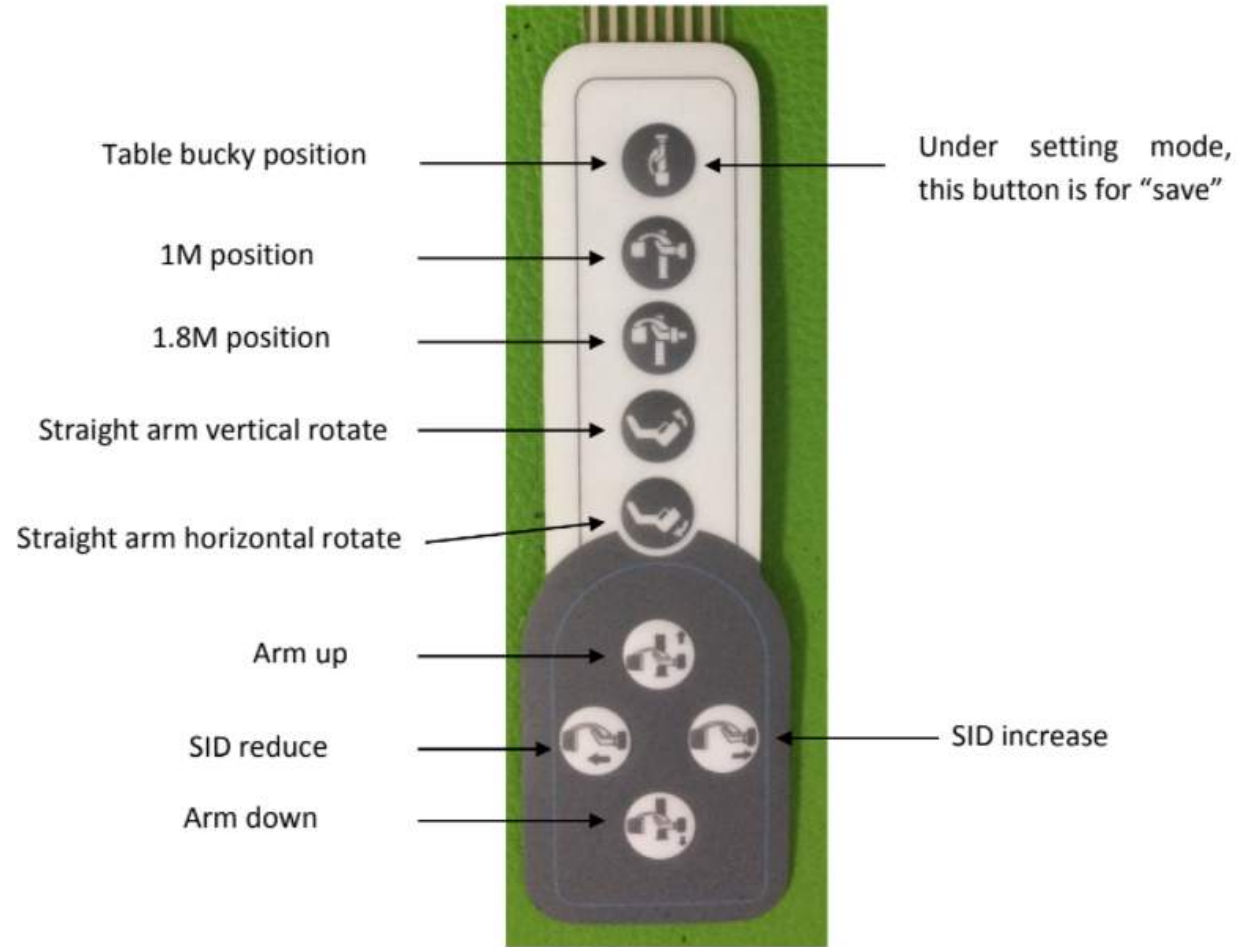
Collimator

Size	6" x 9" x 6"
Weight	<13 lbs.
Rating	150kVp or 125kVp
Film Coverage	Continuously variable 17" x 17" at 36" SID
Ray Proofing	<50mr/hr at 1 meter from focal spot at 150kVp at 4ma
Light Source	12VDC at 2A, 24VDC, at 1A, 24VAC at 1A
Light Output	>20 foot-candle at 40"
Edge Contrast	5:1 minimum
Lamp Timer	30 second standard, up to 120 second programmable
Inherent Filtration	>1.4 mm aluminum equivalent at 80kVp
Filter Type	Fixed
Mount Type	Fixed mount with 90° rotational detents
Performance Standards	CFR Part 1020 UL 60601-1 idc 60825-1
Alignment "Crosshairs"	Transverse & Longitudinal Class I Laser Light Lines

Remote Control

Pre-Programmed Hand Held Remote Control

Upgrade and Option: Mobile Table, AEC Ion Chamber Interface, DAP - Interface



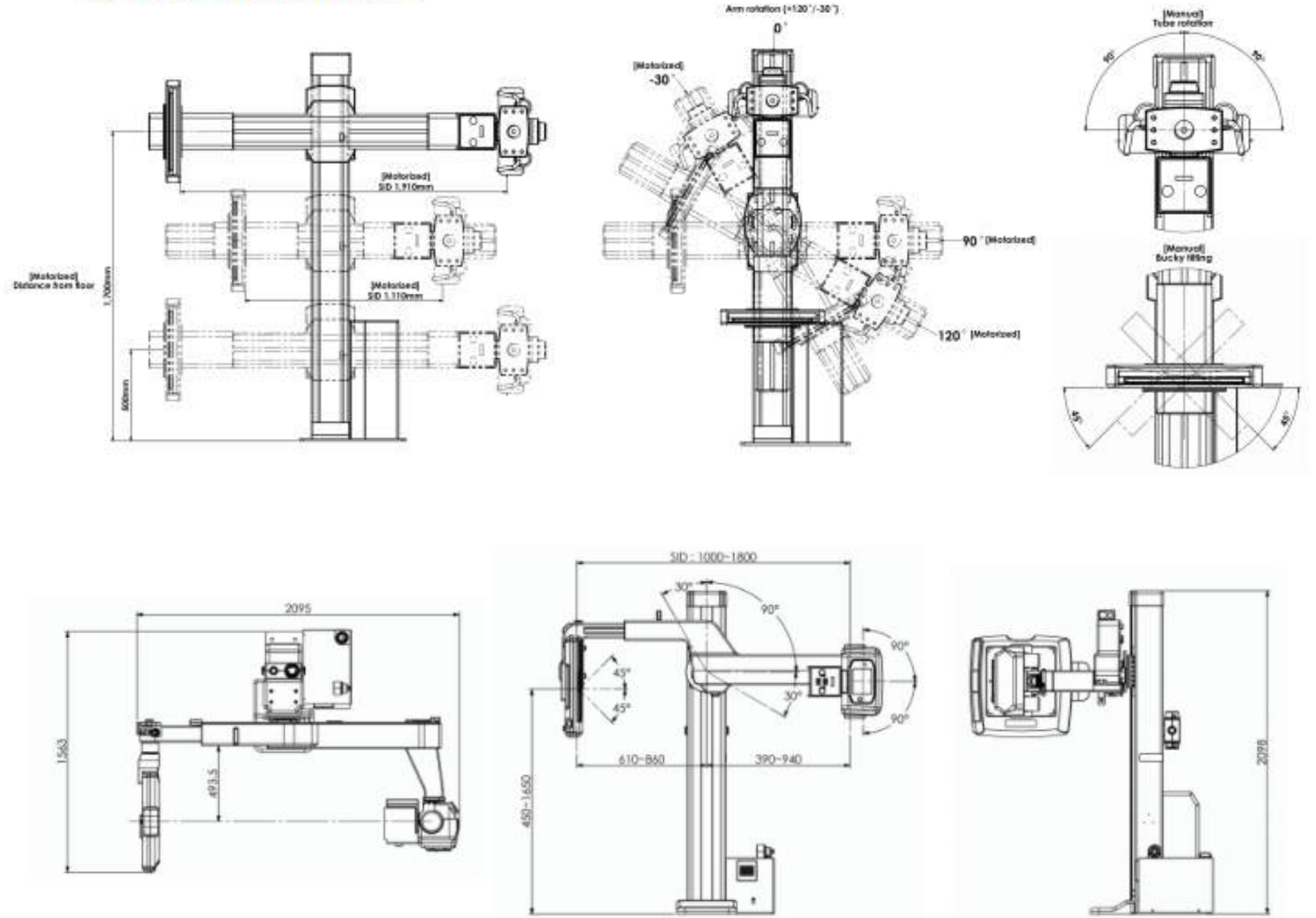


Packaging Information

Weight	420kg	660kg
Dimensions	2310 x 770 x 1470 mm	1360 x 1460 x 1150 mm

Technical Drawing

TECHNICAL DRAWING

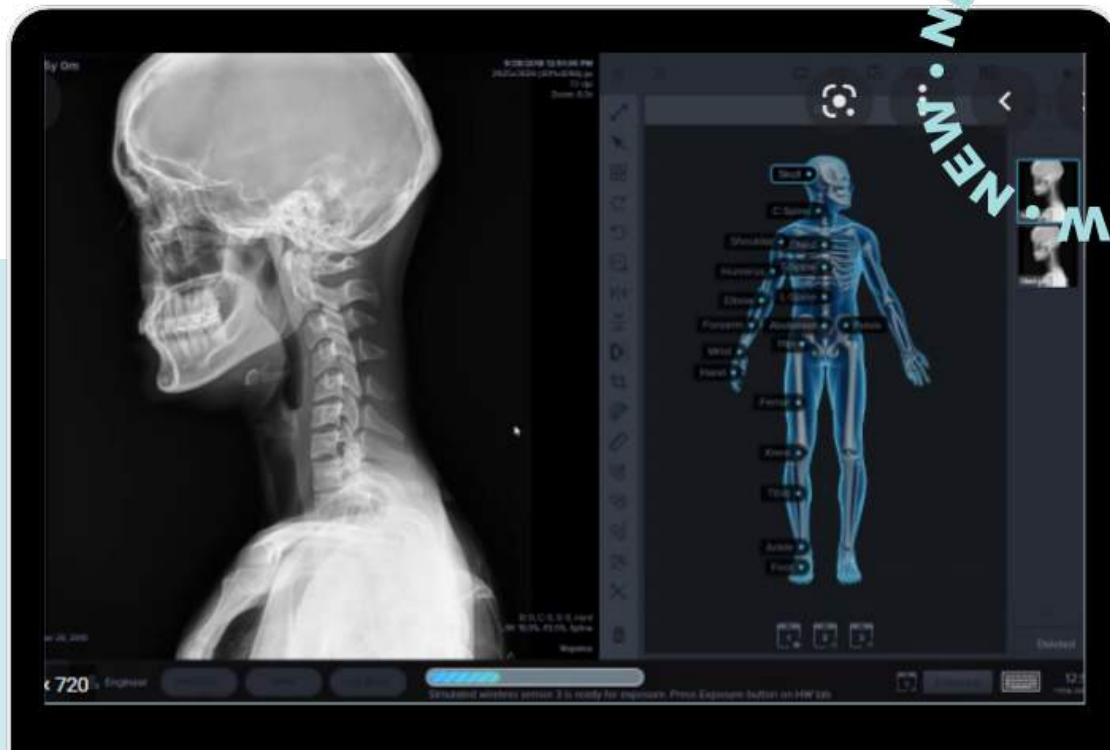


Voyance® Acquisition Software

Voyance® Acquisition and VPACS is an industry leading complete software suite that delivers a secure and cost-effective way to acquire, view and share DICOM Images. VPACS provides imaging departments with a scalable and upgradeable solution to archive patient studies for many years.



Voyance® Acquisition & VPACS



- ✓ Superior Image Quality
- ✓ User friendly touch GUI
- ✓ Automatic Image Optimization
- ✓ Comes with Voyance® PACS to allow image access from anywhere.

Questions?

Get in touch with us.



TI-BA is an exclusive distributor of
Mediatech USA products in North America



585-247-1212



25 Hytec Circle
Rochester, NY 14606



www.ti-ba.com



info@ti-ba.com