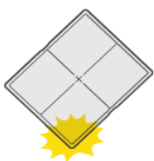
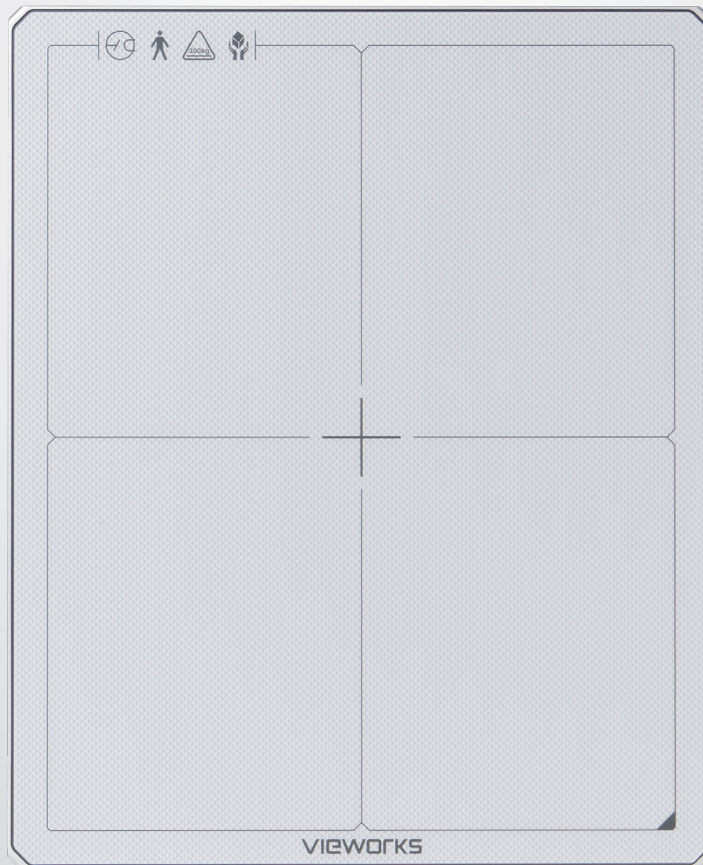


# VIVIX-S 3643VW

Wireless Portable Flat Panel Detector for Digital Radiography

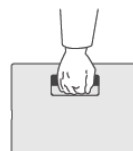


Excellent  
Durability



inside AP™

Faster and More  
Stable Wireless  
Communication



Real  
Mobility

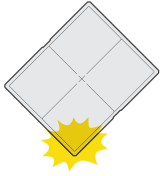


anytime™

Stable and reliable AED  
(Automatic Exposure  
Detection)

# VIVIX- S 3643VW

Wireless Portable Flat Panel Detector for Digital Radiography



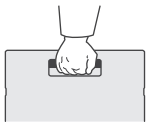
## Supreme Durability

VIVIX-S V series passes drop testing of 100cm and guarantees up to 300 kg under uniform load and 150 kg under the local load.



## IP67 Water and Dust Resistance

IP67 means that the series can operate safely in the water for up to 30 minutes at depths of less than 1 meter.



## Greater Portability

VIVIX-S V is the lightest weight series with an ergonomic designed and improved grips.



## Wider Operating Temperature

VIVIX-S V series operates from 0°C to 40°C, so it is suitable for outdoor or emergency usage.



## Convenient Charging

VIVIX-S V series offers a variety of charging methods, including standard USB-C and magnetic tether connectors and provides a cradle for safe-storing and easy-charging.



## Long Lasting Battery

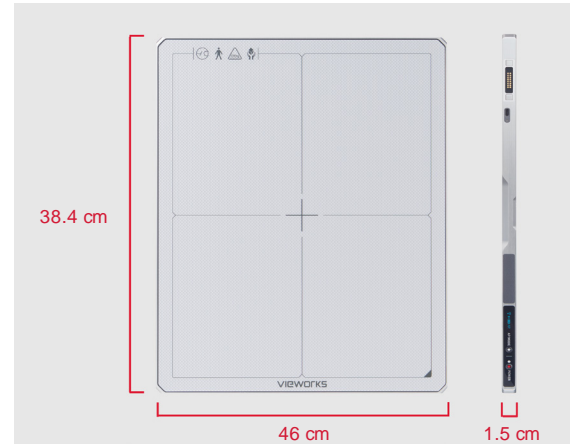
VIVIX-S V series comes with two batteries, allowing up to 16 hours of long operation. Additionally, by using an easy-charging cradle, it allows seamless operation all the time.

## Technical Specifications

VIVIX- S 3643VW	
Model Name	FXRD-3643VAW / FXRD-3643VAW PLUS
Technology	a- Si TFT
Scintillator	CsI
Pixel Pitch	140 $\mu$ m
Spatial Resolution	3.5 lp/mm
Pixel Matrix	2560 x 3072 pixels
Image Size (HxW)	14" x 17" (35.8 cm x 43 cm)
Grayscale	16 bits
Image Acquisition Time	3 s
Recommended Cycle Time	4 s
Data Interface	Gigabit Ethernet IEEE 802.11n / ac
X-ray Generator Interface	DR Trigger Mode / AED Mode
Dimensions (HxWxD)	38.4 cm x 46 cm x 1.5 cm
Weight	2.59 kg (one battery) 3.15 kg (two batteries)
Battery	Lithium Ion 3400mAh x 2 16 h (standby) * 3,000 images at a 15-second cycle.
Dust and Water Resistant	IP67
X-ray Voltage Range	40 - 150 kVp
Operating Environment	0°C to 40°C 5 % to 90 % RH (non- condensing)
Power Consumption	Normal: Max. 24W, Charging: Max. 80W

\* Specifications are subject to change without prior notice.

## Dimensions



## Distributed By:

Georgia X-Ray  
11 Public Square Bowman, GA. 30624

[www.xrayofga.com](http://www.xrayofga.com)