



MEDICATECH USA®



MASTERAD™

Ultra Portable

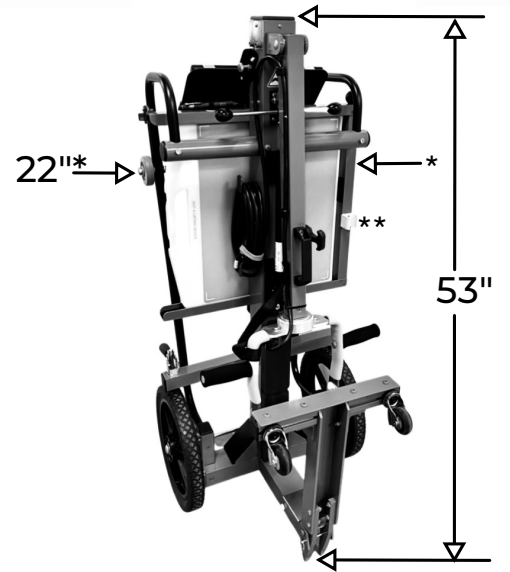
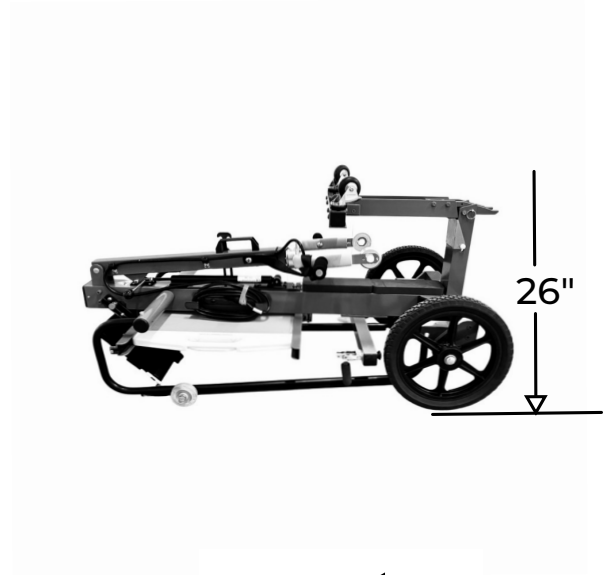
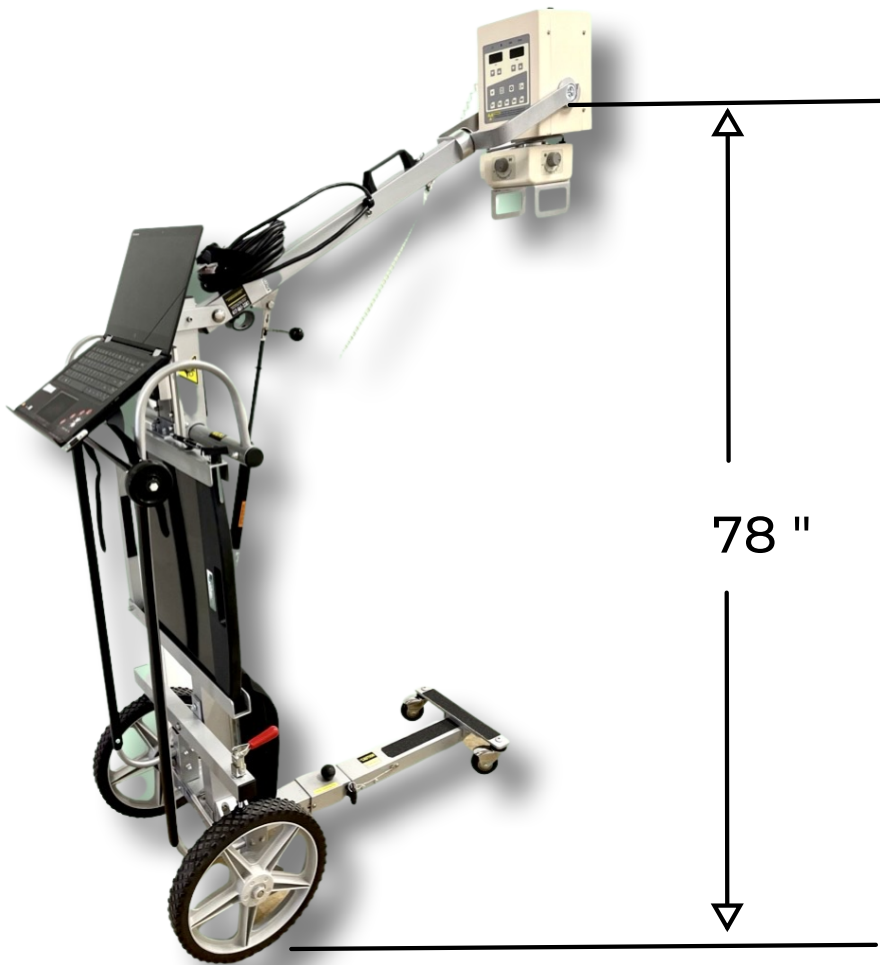
Specification Sheet

MasteRad™ Ultra Portable

Maximum Height	6' 5"
Maximum Width of stand	22"
Total Weight	83 lbs including X-ray unit, collimator and stand, excluding DR Panel
Material	USA aluminum
Finish	Paint, Powder Coated
Collimator	LED Collimator with over 160Lux
Exposure	Hand Switch with 15' cord length
Exposure switch holder bracket, included	
Generator	2.5kW High Frequency X-ray generator
Maximum	100kVp / 0.4 ~120mAs
Voltage	100VAC / 220VAC input
Foldable, two-step stand.	
Vehicle loadable with easy load 3" wheels.	
14" solid rubber wheels with single action wheel lock	
Wheel base	22" wide
Wheel brakes	Dual wheel, Single Action, One Lever
Two 3" Swivel Casters	
14" folding Laptop holder (2 positions) included.	
Digital plate holder channels included	
Holder for DR plate with encasement included.	
Winch hook pull top strap included.	
AC power cable and exposure switch holder	
Support rail easy loading wheels, 3" included (2)	
Features a DAP function, Auto Calibration & Bluetooth	
Gas spring, 1000N locking with lever action	
Yoke safety strap and leg locking pins included.	
1 year Manufacturer Warranty	



Technical Drawing



manufactured by



MEDICATECH USA®

distributed by

TI-BA Enterprises, Inc.



T. (585) 247-1212

www.ti-ba.com

sales@ti-ba.com



TI-BA Enterprises, Inc.
25 Hytec Circle
Rochester, NY 14606